

RSA V5

QUICKGUIDE | HARDWARE



1

2

3



4

5

- 1 PC on/off switch
- 2 Analyzer on/off switch
- 3 RF-Connector
- 4 Power supply plug (the *RSA* boots automatically when connected to power)
- 5 Network cable plug



RSA V5

QUICKGUIDE | NETWORK

The *RSA V5* boots automatically when connected to power, there is no need to press the *ON/OFF* button. The *Boot Menu* (blue screenshots below) is only visible when a *monitor* is connected to the *RSA V5*

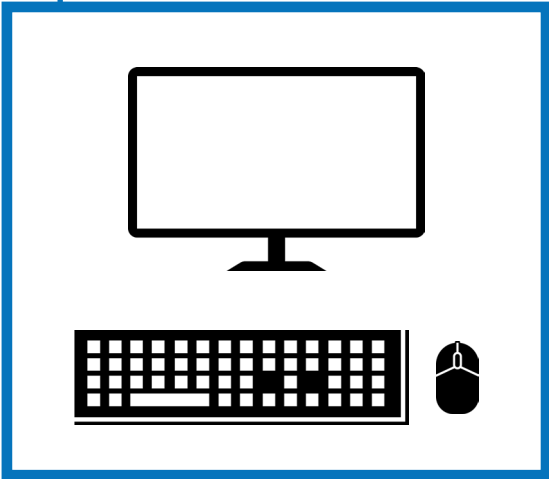


```
*Debian GNU/Linux  
Advanced options for Debian GNU/Linux  
Windows Vista (loader)
```

2

```
Debian GNU/Linux  
Advanced options for Debian GNU/Linux  
*Windows Vista (loader)
```

1



RSA V5 as a PC
(Windows Partition, has to be manually chosen with the arrow keys in the boot menu)

1



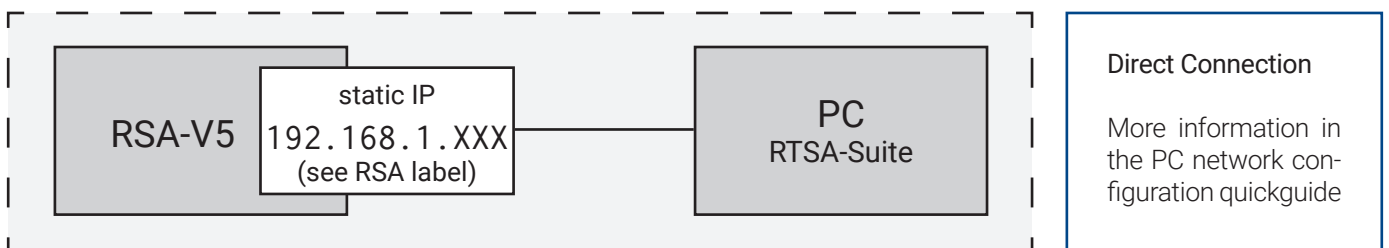
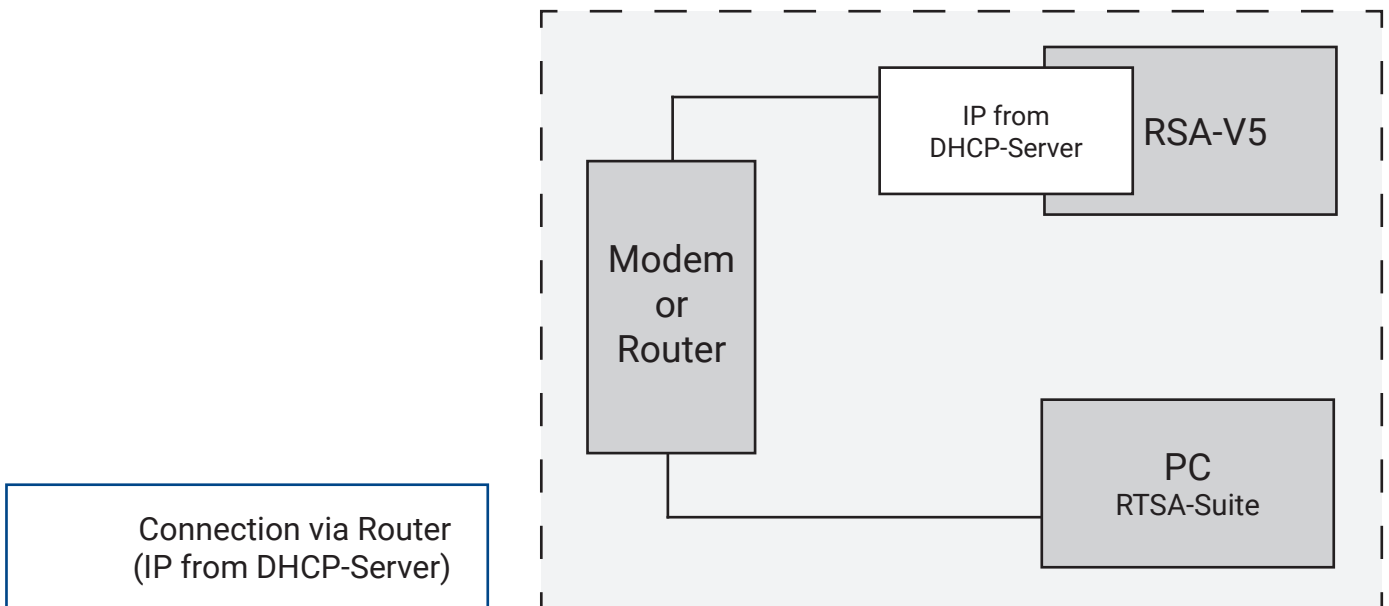
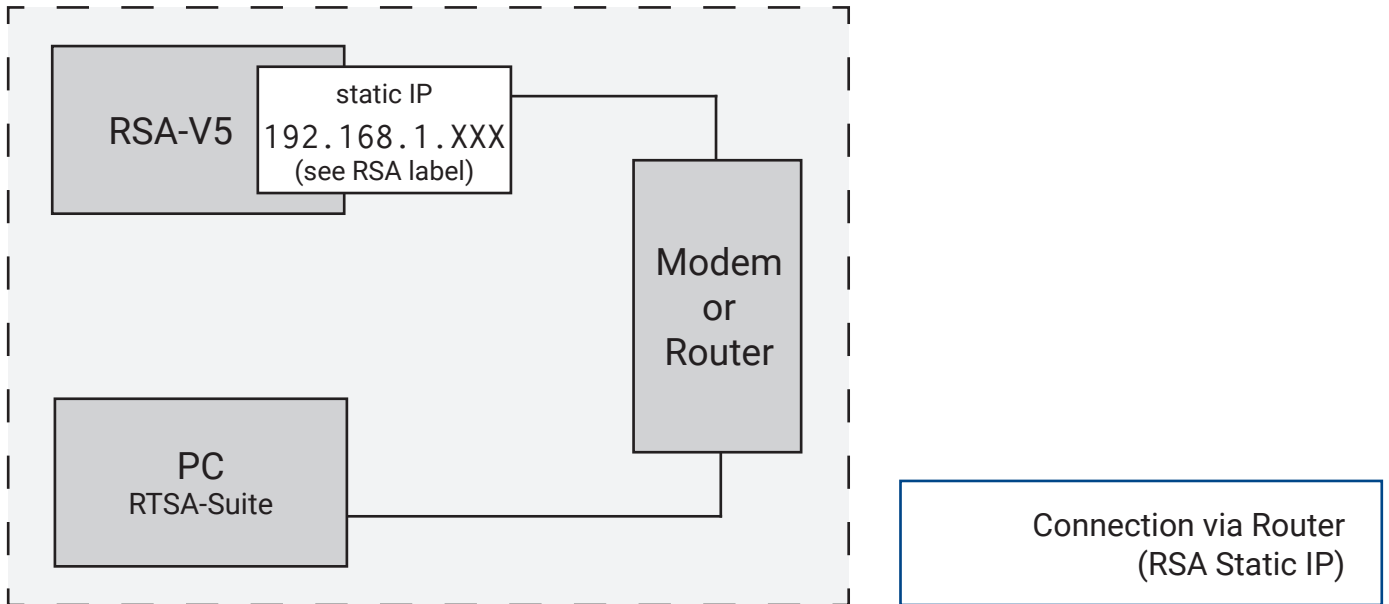
RSA V5 Remote Control
(Linux Partition, boots automatically after a few seconds if no input is detected in the boot menu)

2



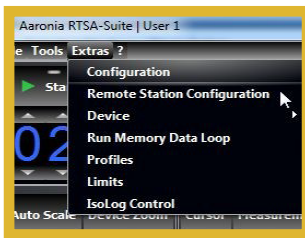
RSA V5

QUICKGUIDE | NETWORK

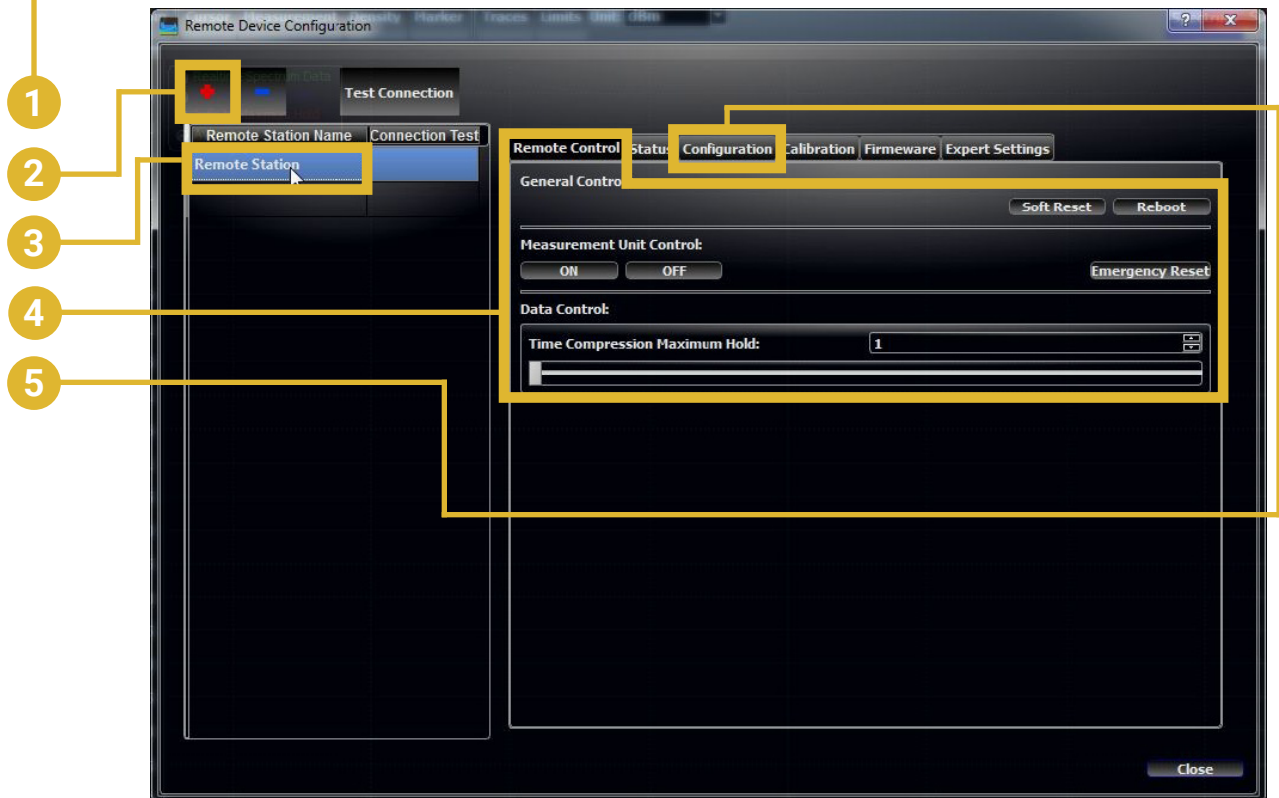


RSA V5

QUICKGUIDE | NETWORK



Please ensure that the
RSA V5
is supplied with power before connecting to it.

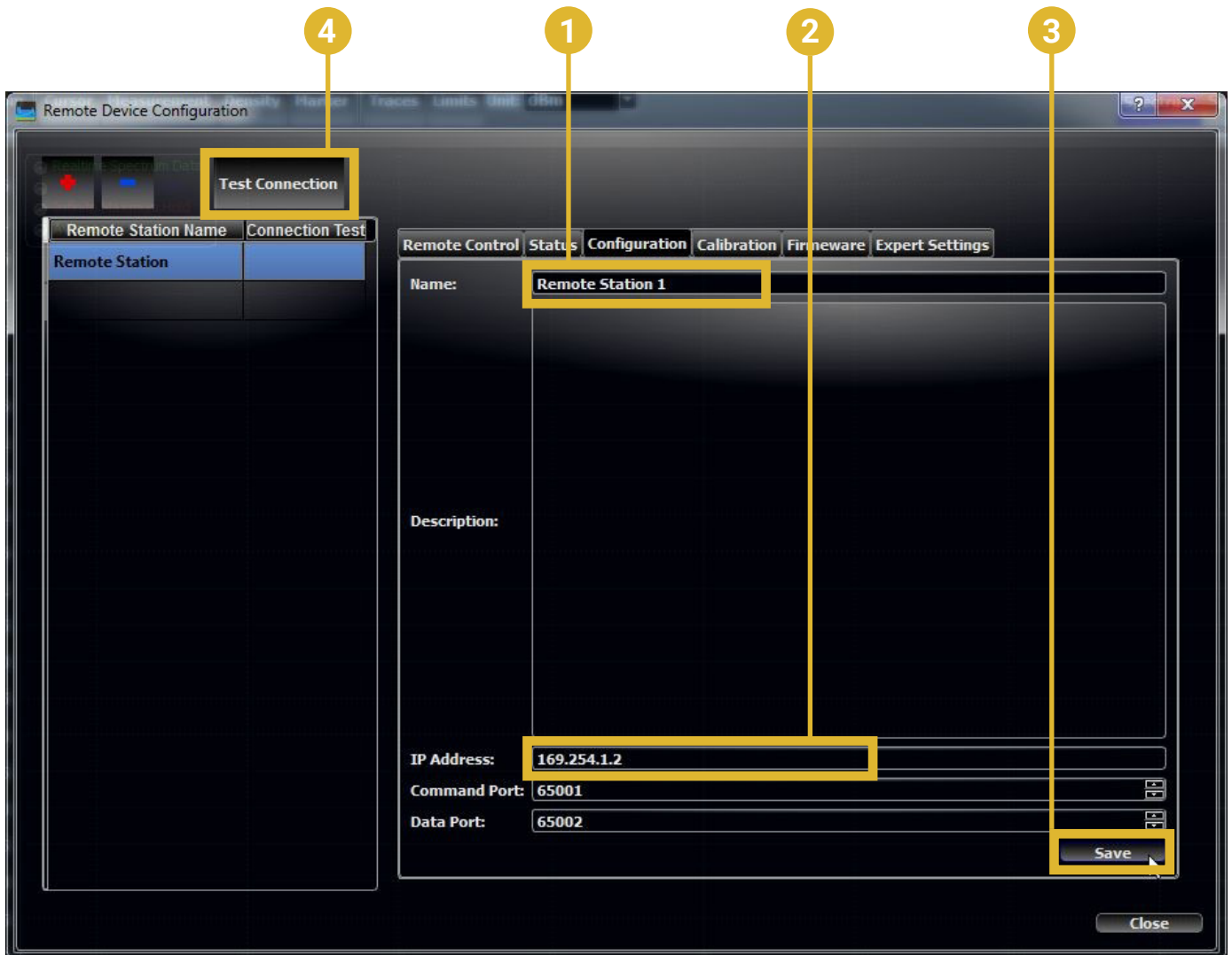


- 1 In the *Extras* menu, click *Remote Station Configuration*
- 2 Click the *+* symbol
- 3 Select the new entry
- 4 In the tab *Remote Control*, ensure that *Time Compression Maximum Hold* is set to 1
- 5 Go to the *Configuration* tab



RSA V5

QUICKGUIDE | NETWORK

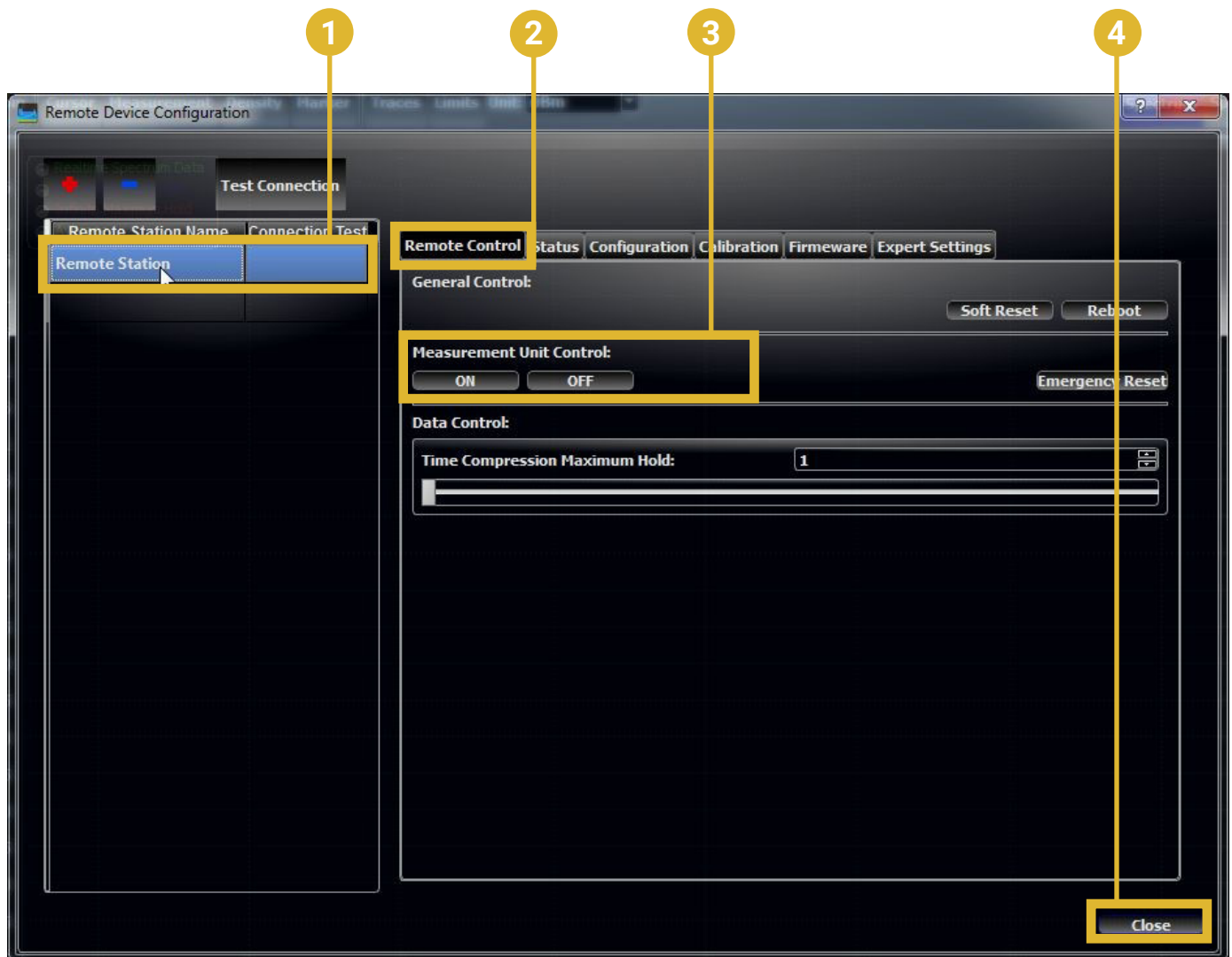


- 1 Enter a name for the remote connection
- 2 Enter the IP address of the *RSA*:
DHCP: ask your IT for the address
Static: see the label on the *RSA*
- 3 Save the settings
- 4 Click *Test Connection*



RSA V5

QUICKGUIDE | MEASUREMENTS



- 1 Select entry to be started (*RSA*)
- 2 Go to the *Remote Control* tab
- 3 *ON/OFF* switches the connected analyzer on or off

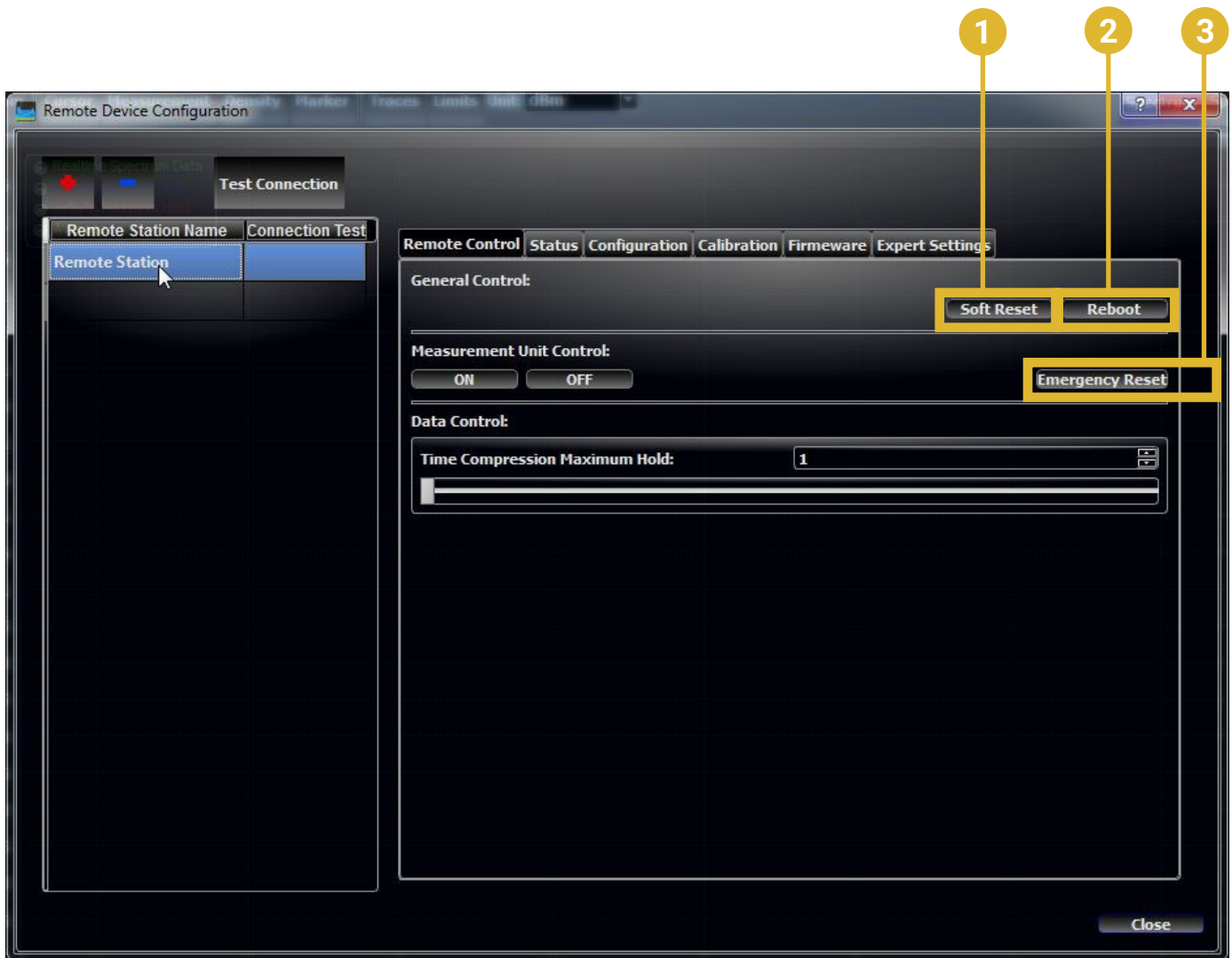
Note: The connected analyzer is running correctly, when the *LED* on the analyzer is pulsing slowly.

- 4 Close the dialogue



RSA V5

QUICKGUIDE | MEASUREMENTS

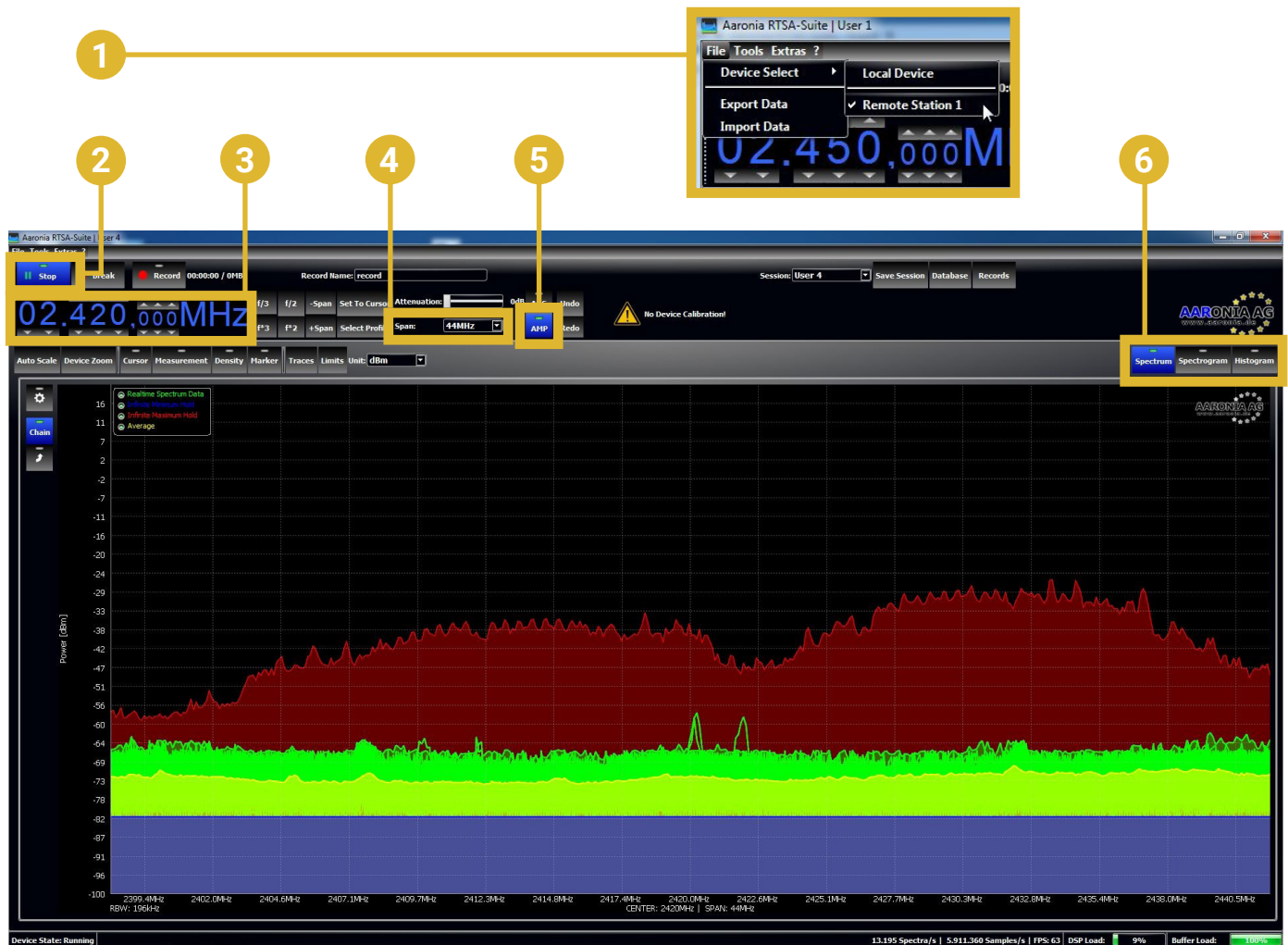


- 1 *Soft Reset* restarts the server-software on the RSA
- 2 *Reboot* reboots the RSA PC-board
- 3 *Emergency Reset* restarts the RSA V5 analyzer



RSA V5

QUICKGUIDE | MEASUREMENTS



- 1 In *Files*, go to *Device Select* and select the remote connection
- 2 Start/Stop the measurement
- 3 Frequency input
- 4 Span selection
- 5 Amplifier toggle (on/off)
- 6 Toggle views: *Spectrum*, *Spectrogram*, *Histogram*.

