

TECHNICAL DATASHEET

Edge Mount Waveguide Connector | WR12 | 60 GHz to 90 GHz

MADE IN GERMANY

Edge Mount Waveguide Connector | WR12 | 60 GHz to 90 GHz SKU 508/002

Technical Specifications

Technical Drawing

Edge Mount Waveguide Connector | WR12 | 60 GHz to 90 GHz

Type ▶ WR-12 / R 740 (60 - 90GHz E-Band)

SKU ▶ 508/002

Radio Frequency Characteristics

Frequency Range ▶ 60 to 90 GHz

Waveguide Interface Aperture ▶ R 740 per IEC 60153-2 (WR 12 per EIA RS-261)

Return Loss ▶ typ. 10 dB

Characteristic Impedance ▶ 50 Ω

Mechanical Characteristics

Inner Contact PCB Side Material/Coating ▶ CuBe age hardened / gold-plated

Dielectric Material ▶ PEI

Case Material/Coating ▶ Copper alloy / gold-plated

Other Metallic Parts/Coating ▶ Copper alloy / nickel-plated, stainless steel

Weight ▶ Approx. 35 g

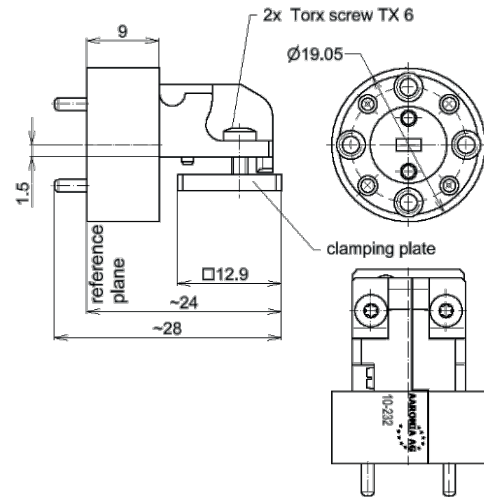
Installation Type ▶ Solderless

PCB Thickness ▶ Max. 2.2 mm (expandable with longer screws)

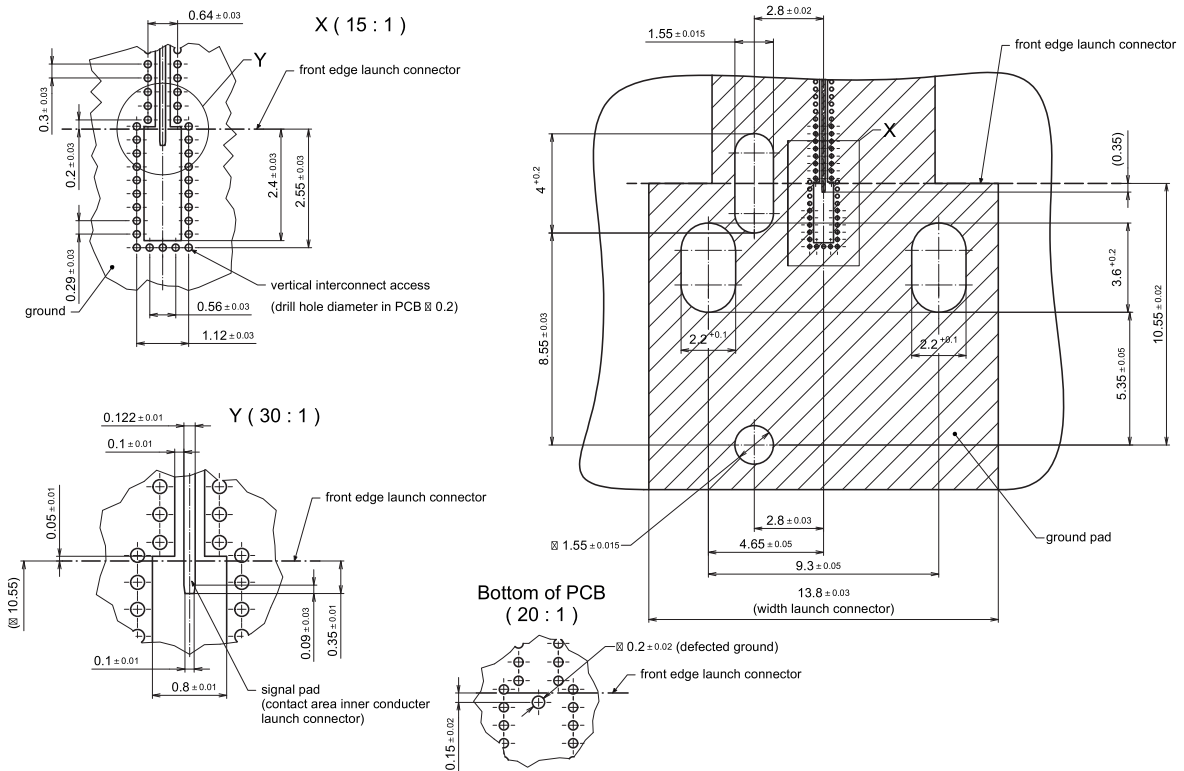
Environmental Conditions

Operating Temperature Range ▶ -40 to +85°C

Max. Relative Humidity ▶ 95% (non-condensing)



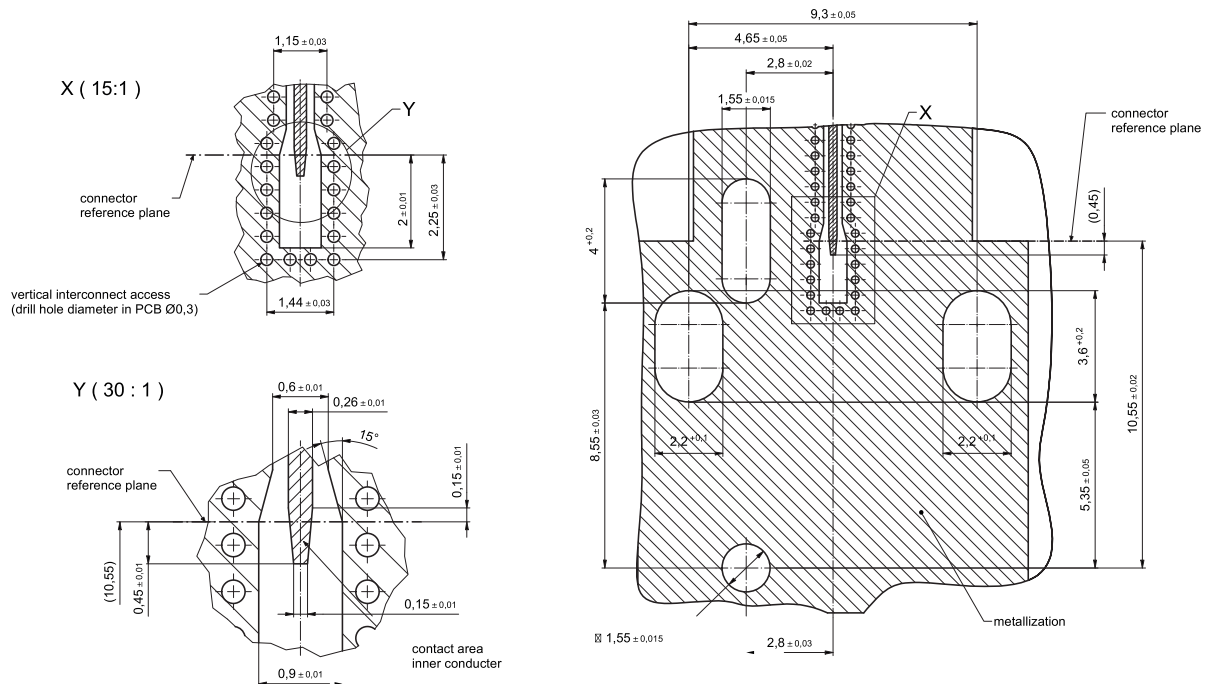
Edge Mount Waveguide Connector Footprints



Note:

This layout is optimized for high frequency laminates with following properties:

- dielectric constant $3.0 \pm 5\%$
- thickness $63.5 \mu\text{m}$
- $17 \mu\text{m}$ electrodeposited copper foil on both sides.



Note:

This layout is optimized for high frequency laminates with following properties:

- dielectric constant $3.0 \pm 5\%$
- thickness $127 \mu\text{m}$
- $17 \mu\text{m}$ electrodeposited copper foil on both sides.