

# TECHNICAL DATASHEET

Edge Mount Waveguide Connector | WR10 | 75 GHz to 110 GHz

MADE IN GERMANY

---

## Edge Mount Waveguide Connector | WR10 | 75 GHz to 110 GHz SKU 508/003

### Technical Specifications

### Technical Drawing

#### Edge Mount Waveguide Connector | WR10 | 75 GHz to 110 GHz

**Type** ▶ WR-10 / R 900 (75 - 110GHz W-Band)

**SKU** ▶ 508/003

#### Radio Frequency Characteristics

**Frequency Range** ▶ 75 to 110 GHz

**Waveguide Interface Aperture** ▶ R 900 per IEC 60153-2 (WR 10 per EIA RS-261, WM-2540 per IEEE Std. 1785.1)

**Return Loss** ▶ typ. 10 dB

**Characteristic Impedance** ▶ 50 Ω

#### Mechanical Characteristics

**Inner Contact PCB Side Material/Coating** ▶ CuBe age hardened / gold-plated

**Dielectric Material** ▶ PEI

**Case Material/Coating** ▶ Copper alloy / gold-plated

**Other Metallic Parts/Coating** ▶ Copper alloy / nickel-plated, stainless steel

**Weight** ▶ Approx. 35 g

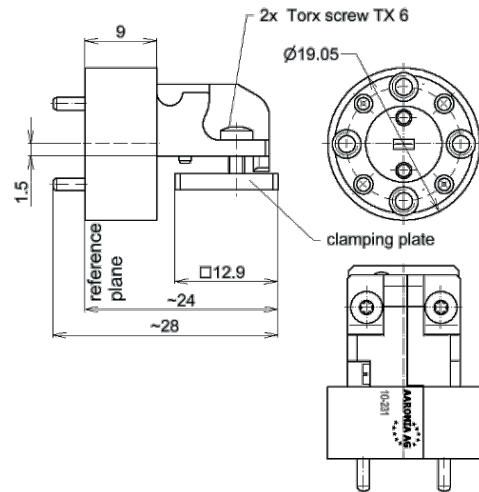
**Installation Type** ▶ Solderless

**PCB Thickness** ▶ Max. 2.2 mm  
(expandable with longer screws)

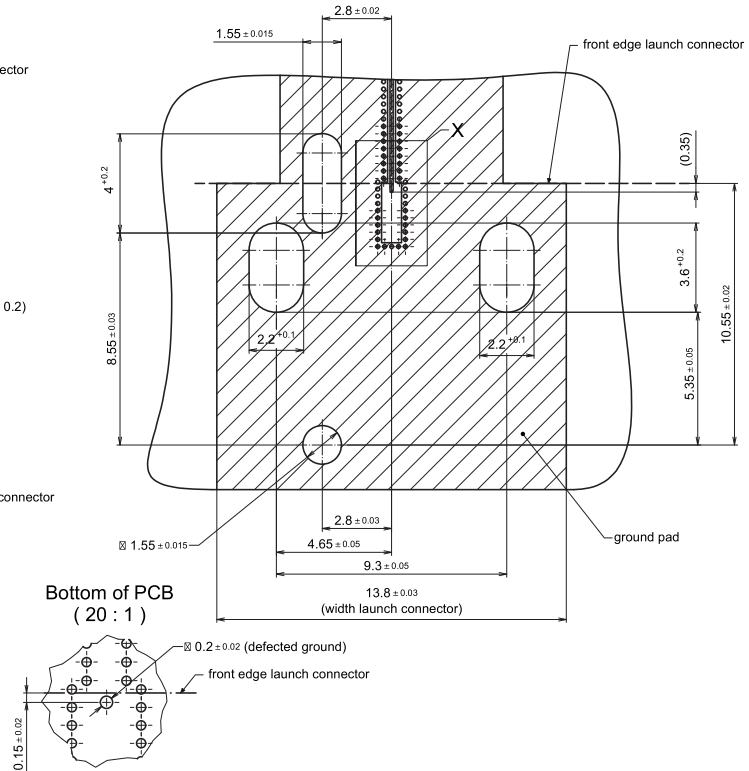
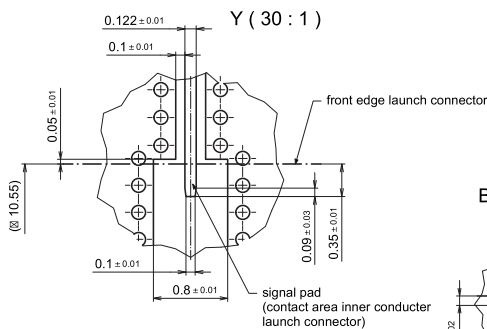
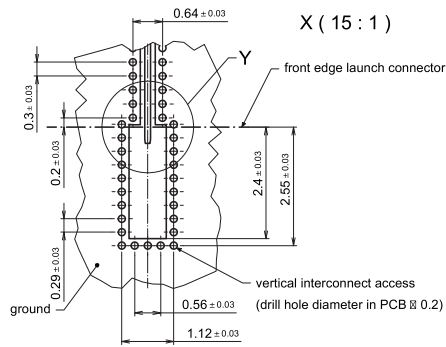
#### Environmental Conditions

**Operating Temperature Range** ▶ -40 to +85°C

**Max. Relative Humidity** ▶ 95% (non-condensing)



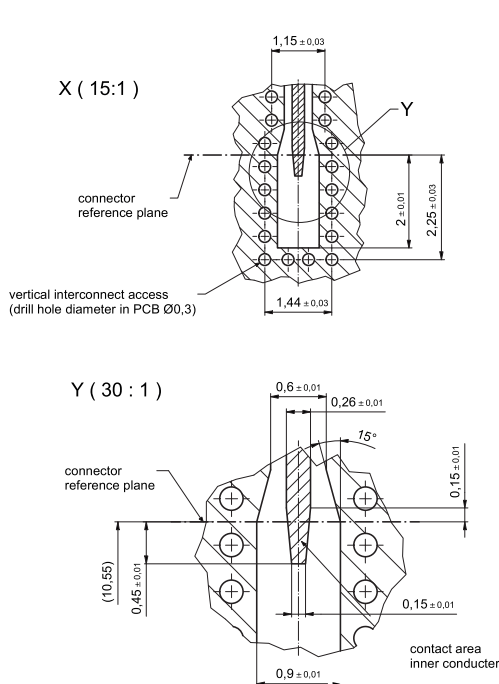
## Edge Mount Waveguide Connector Footprints



**Note:**

This layout is optimized for high frequency laminates with following properties:

- dielectric constant 3.0 ± 5%
- thickness 63.5 µm
- 17µm electrodeposited copper foil on both sides.



**Note:**

This layout is optimized for high frequency laminates with following properties:

- dielectric constant 3.0 ± 5%
- thickness 127 µm
- 17µm electrodeposited copper foil on both sides.

