



TECHNICAL DATASHEET

Edge Mount Connector | 1.85 mm | DC to 70 GHz

MADE IN GERMANY

Edge Mount Connector | 1.85 mm | DC to 70 GHz SKU 508/006

Technical Specifications

Technical Drawing

Edge Mount Connector | 1.85 mm | DC to 70 GHz

Type ▶ 1.85 mm socket per IEC 61169-31

SKU ▶ 508/006

Radio Frequency Characteristics

Frequency Range ▶ DC to 70 GHz

Return Loss ▶ 23 dB @ DC to 26.5 GHz
19 dB @ 26.5 to 40 GHz
17 dB @ 40 to 70 GHz

Characteristic Impedance ▶ 50 Ω

Mechanical Characteristics

Inner conductor material / surface coating ▶ CuBe age hardened / gold-plated

Inner contact PCB side material / surface coating ▶ CuBe age hardened / gold-plated coating

Dielectric material ▶ PEI, PS

Outer conductor material / surface coating ▶ copper alloy / gold-plated

Other metallic parts / surface coating ▶ copper alloy / nickel-plated
stainless steel

Weight, aprox. ▶ 16 g

Installation type ▶ solderless

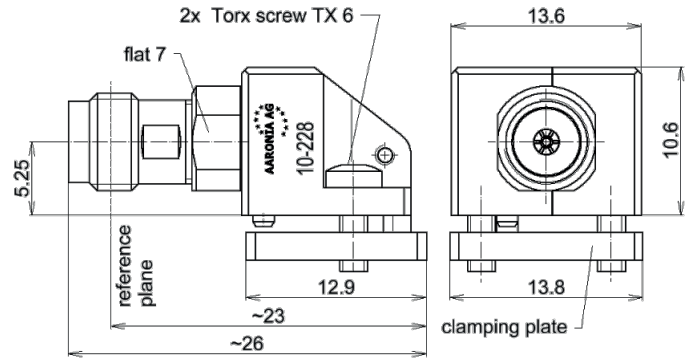
Marking ▶ laser engraving

PCB thickness ▶ Max. 2.2 mm
(expandable with longer screws)

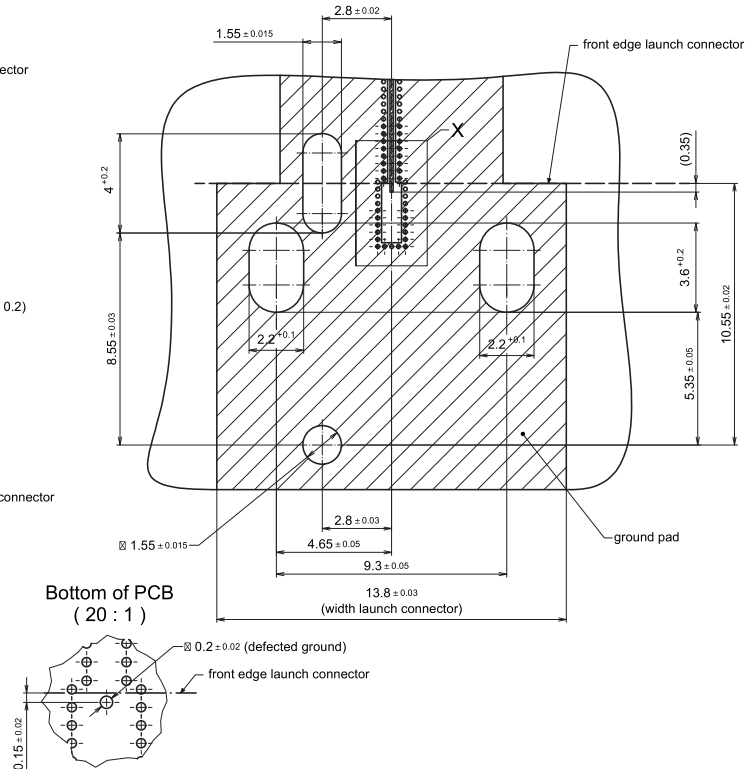
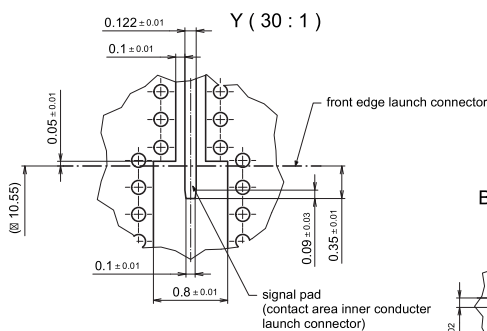
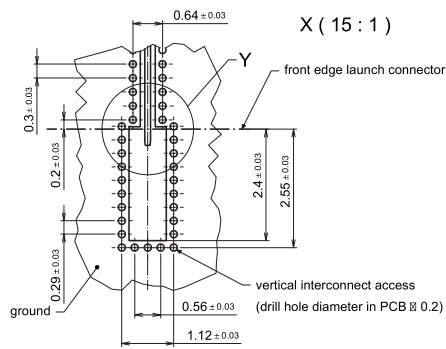
Environmental Conditions

Operating Temperature Range ▶ -40 to +70°C

Max. Relative Humidity ▶ 95% (non-condensing)



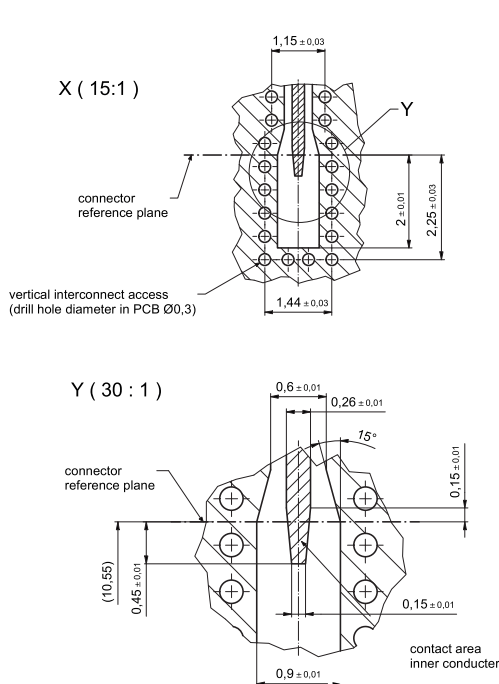
Edge Mount Waveguide Connector Footprints



Note:

This layout is optimized for high frequency laminates with following properties:

- dielectric constant $3.0 \pm 5\%$
- thickness $63.5 \mu\text{m}$
- $17 \mu\text{m}$ electrodeposited copper foil on both sides.



Note:

This layout is optimized for high frequency laminates with following properties:

- dielectric constant $3.0 \pm 5\%$
- thickness $127 \mu\text{m}$
- $17 \mu\text{m}$ electrodeposited copper foil on both sides.

